

4

3

2

1

D

D

C

C

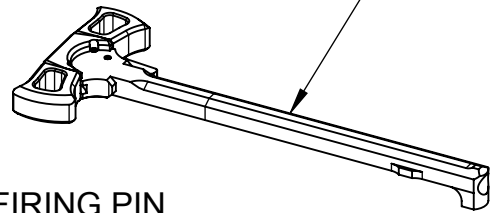
B

B

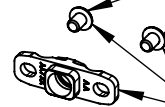
A

A

CHARGING HANDLE

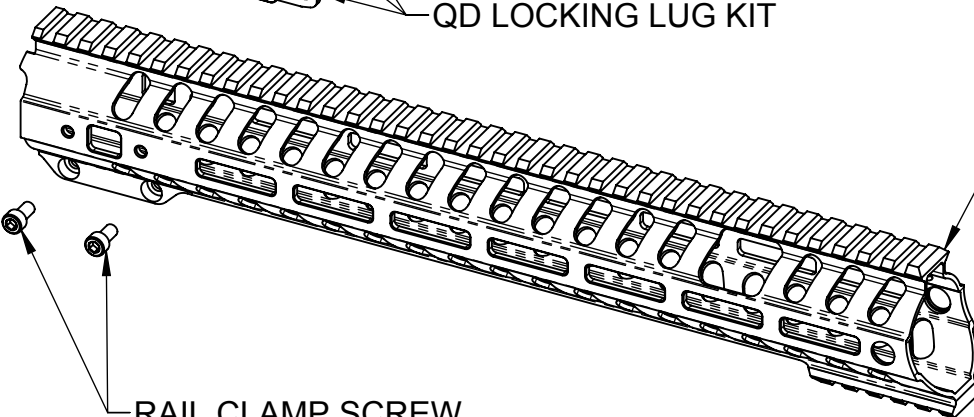


QD LOCKING LUG SCREW



QD LOCKING LUG KIT

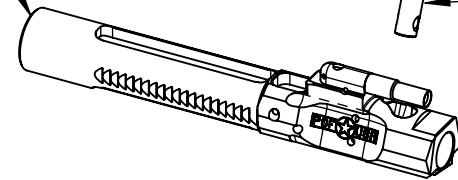
RENEGADE 14.5" MOD1 HANDGUARD



FIRING PIN RETAINING PIN



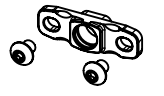
BOLT CARRIER



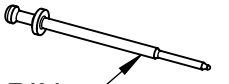
ROLLER CAM PIN



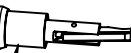
RAIL CLAMP SCREW



FIRING PIN



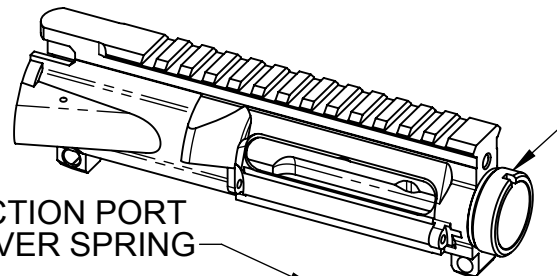
FORWARD ASSIST RETAINING PIN



FORWARD ASSIST SPRING



UPPER RECEIVER



BOLT

EJECTOR ROLL PIN



EXTRACTOR PIN



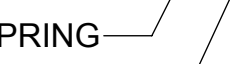
EXTRACTOR SPRING



EXTRACTOR



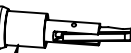
EJECTOR SPRING



EJECTOR



FORWARD ASSIST



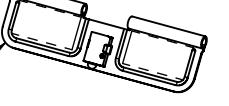
EJECTION PORT COVER SPRING



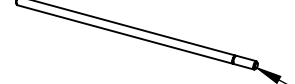
EJECTION PORT C CLIP



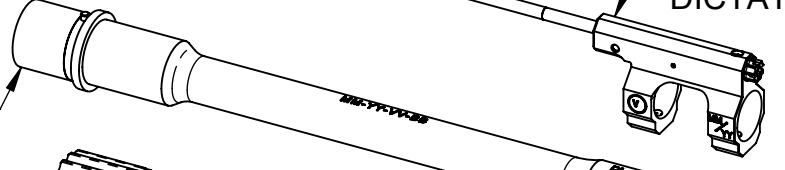
EJECTION PORT COVER ASSY



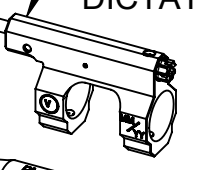
EJECTION PORT COVER ROD



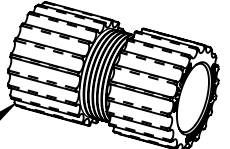
BARREL ASSEMBLY



MID LENGTH DICTATOR GAS BLOCK KIT



LP HEAT SINK BARREL NUT



LOCK NUT



TAPER PINS



BRAKE

REVISION DATE: 3/19/2016

# RENEGADE PLUS UPPER RECEIVER COMPONENTS BY DESCRIPTION

4

3

2

1

4

3

2

1

D

D

C

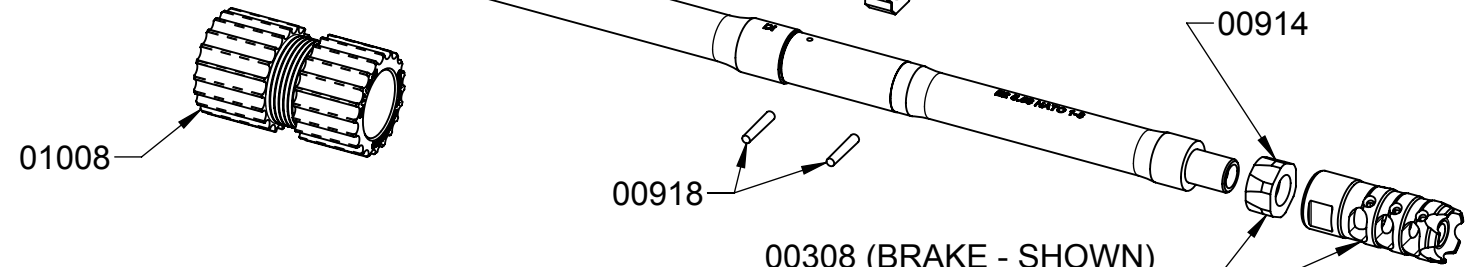
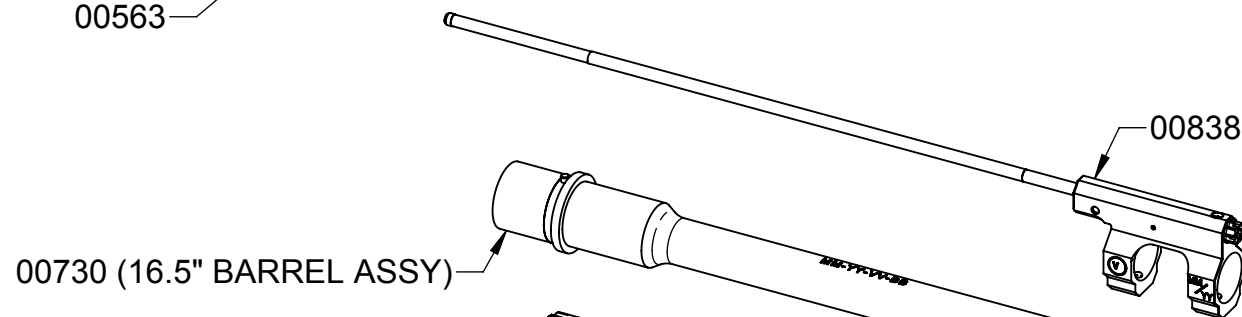
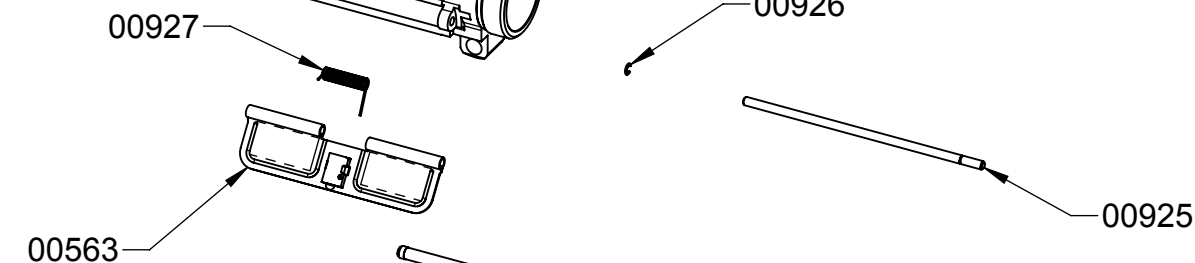
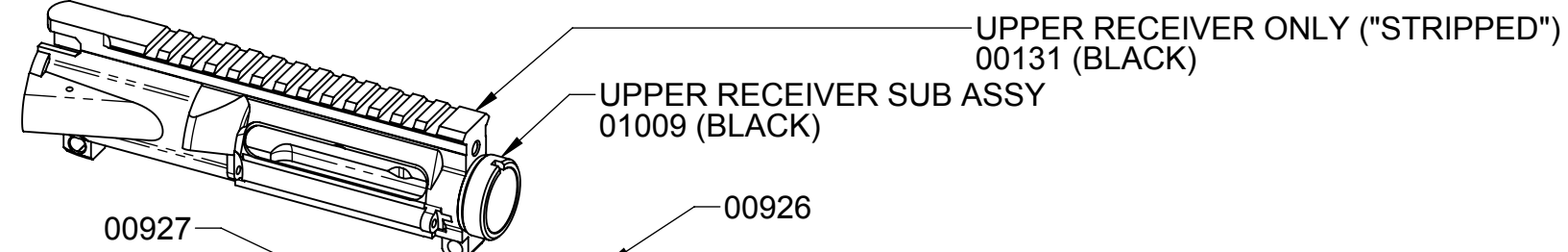
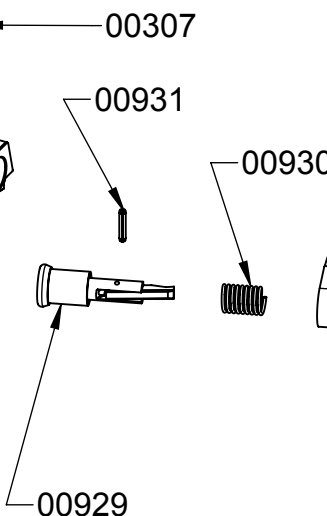
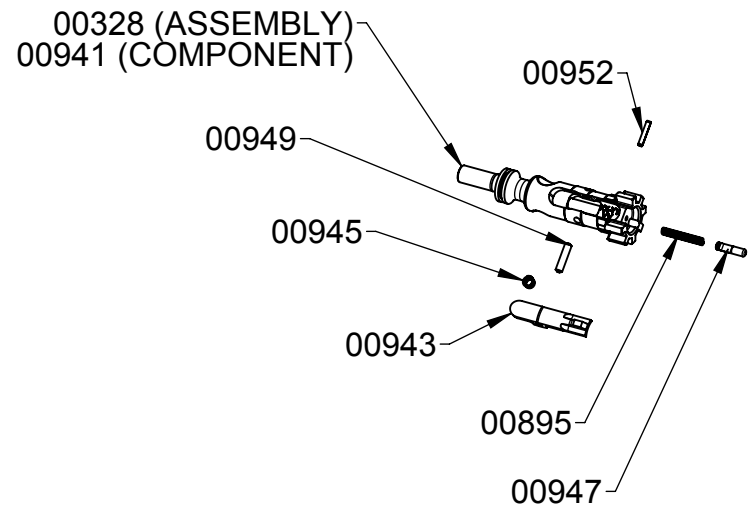
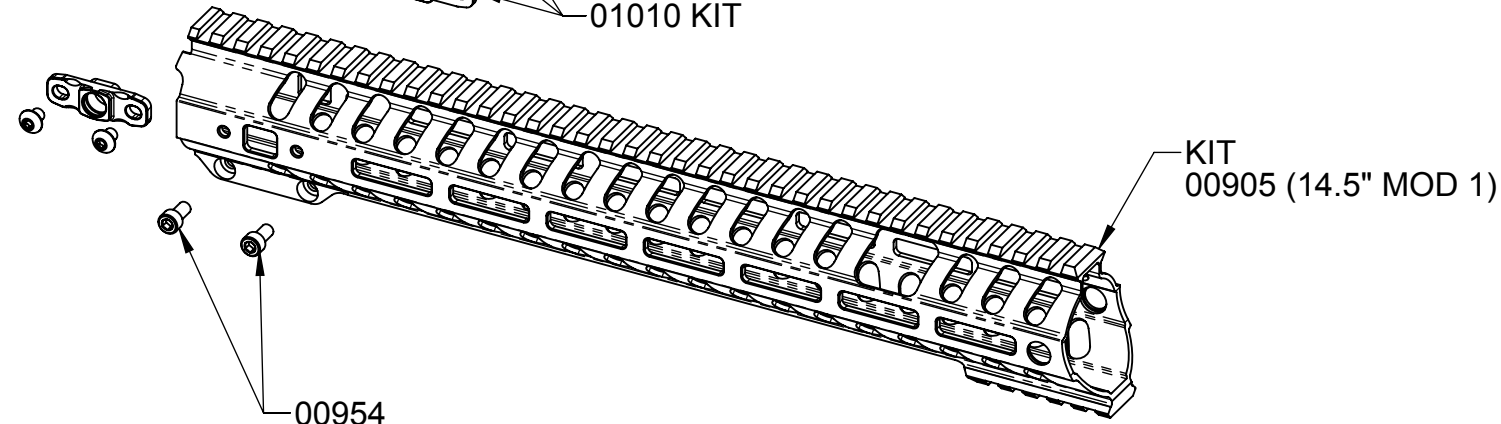
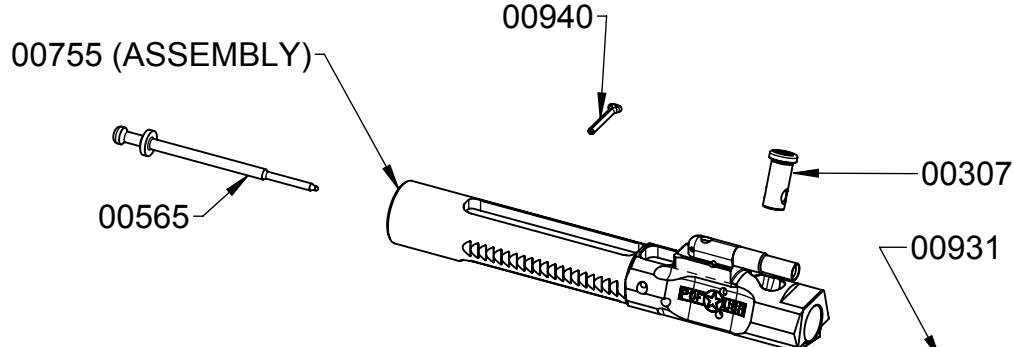
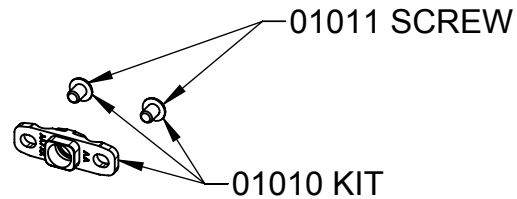
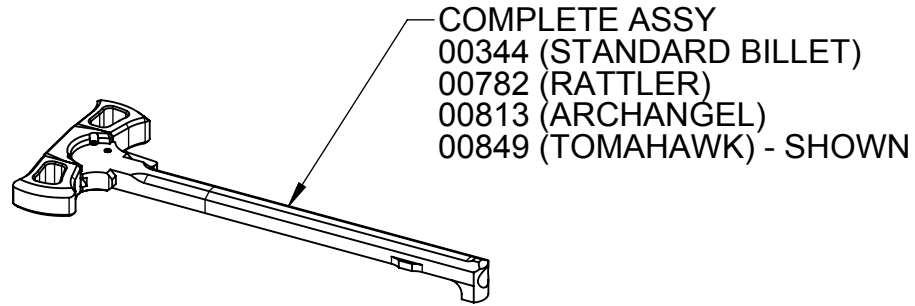
C

B

B

A

A



00308 (BRAKE - SHOWN)  
01012 (COMPENSATOR)  
00870 (FLASH HIDER)

REVISION DATE: 3/19/2016

**RENEGADE PLUS UPPER RECEIVER COMPONENTS BY SKU NUMBER**

4

3

2

1