

4

3

2

1

D

D

C

C

B

B

A

A

CHARGING HANDLE LATCH
 CHARGING HANDLE ROLL PIN
 CHARGING HANDLE SPRING
 CHARGING HANDLE

FIRING PIN
 FIRING PIN RETAINING PIN

BOLT CARRIER

FIRING PIN

ROLLER CAM PIN

FORWARD ASSIST RETAINING PIN

FORWARD ASSIST SPRING

OP ROD

PISTON

GAS PLUG

EJECTOR ROLL PIN

BOLT

EXTRACTOR PIN

EXTRACTOR SPRING

EXTRACTOR

EJECTOR SPRING

EJECTOR

FORWARD ASSIST

EJECTION PORT COVER SPRING

EJECTION PORT COVER ASSY

UPPER RECEIVER

EJECTION PORT COVER ROD

EJECTION PORT C CLIP

BARREL ASSEMBLY

DELTA RING ASSEMBLY

TAPER PINS

LOCK NUT

COMPENSATOR

PURITAN UPPER RECEIVER COMPONENTS BY DESCRIPTION

REVISION DATE: 3/19/2016

4

3

2

1

4

3

2

1

D

D

C

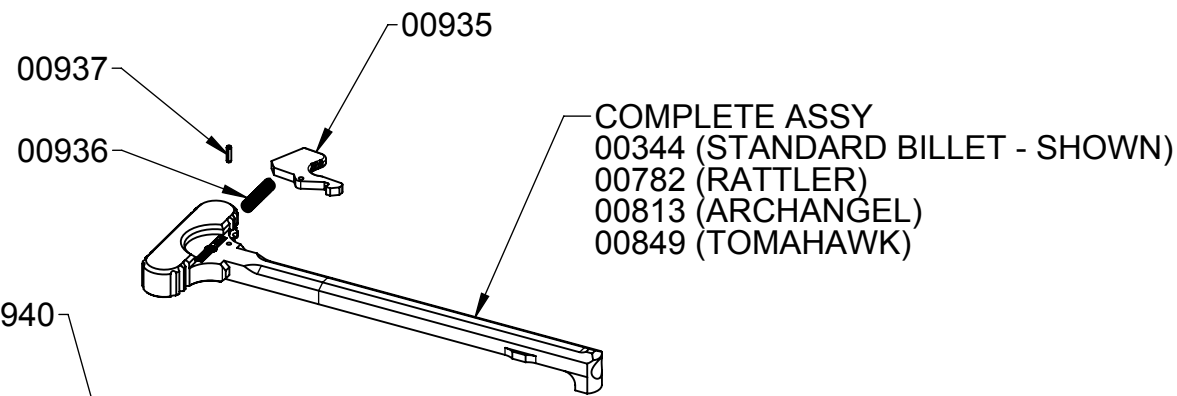
C

B

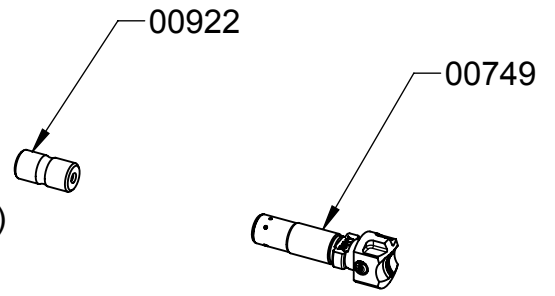
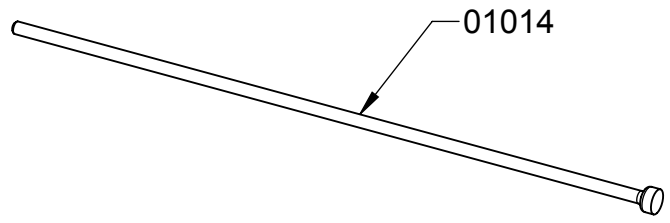
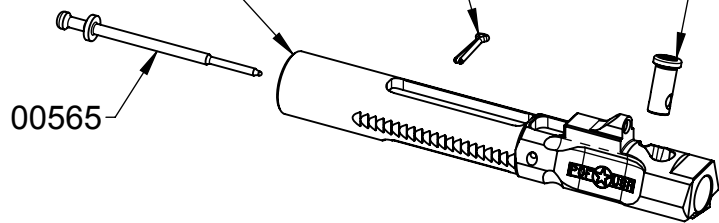
B

A

A



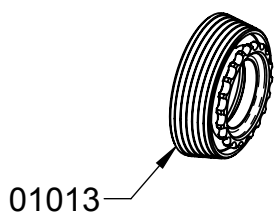
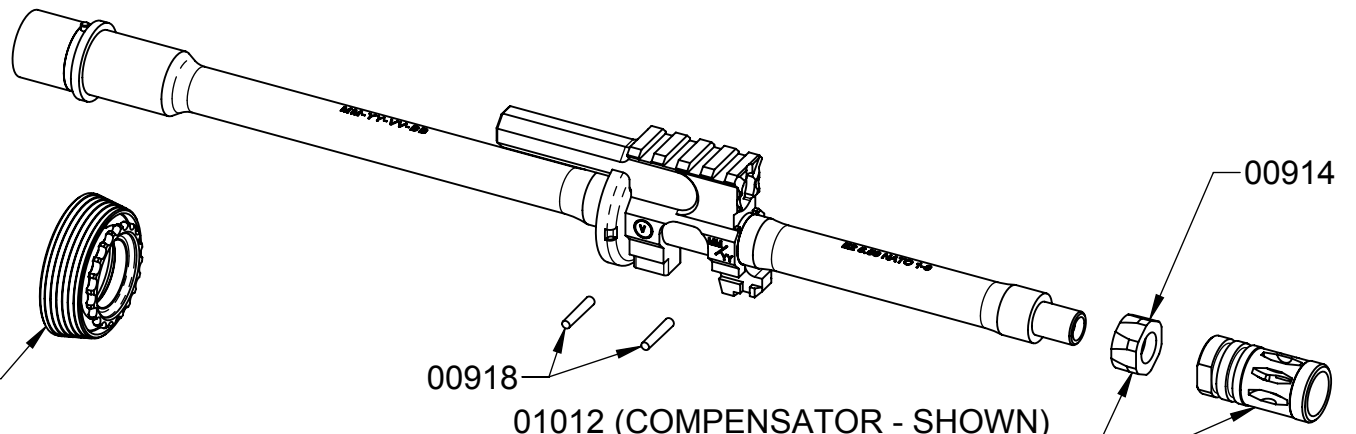
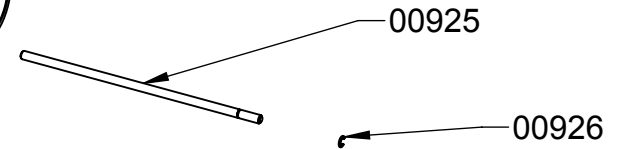
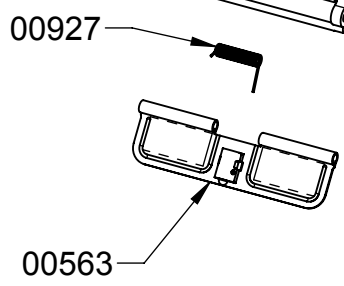
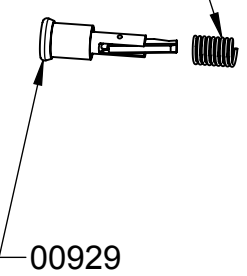
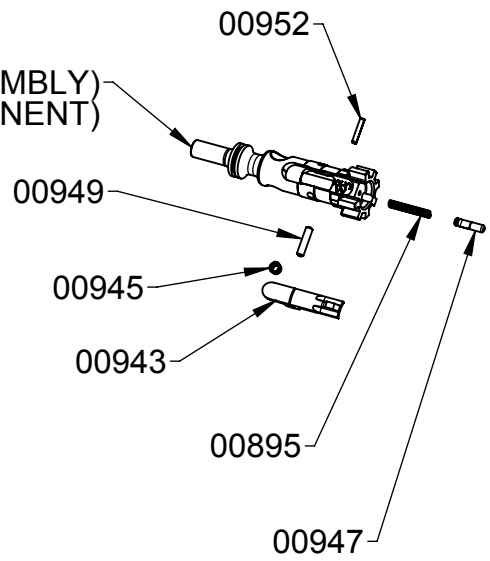
00559 (ASSEMBLY)
00938 (COMPONENT)



UPPER RECEIVER ONLY ("STRIPPED")
00131 (BLACK)

UPPER RECEIVER SUB ASSY
01009 (BLACK)

00328 (ASSEMBLY)
00941 (COMPONENT)



01012 (COMPENSATOR - SHOWN)
00308 (BRAKE)
00870 (FLASH HIDER)

PURITAN UPPER RECEIVER COMPONENTS BY SKU NUMBER

REVISION DATE: 3/19/2016

4

3

2

1