

4

3

2

1

D

D

C

C

B

B

A

A

TRIGGER ASSEMBLY KIT

DROP IN TRIGGER ASSY

KNS PRECISION ANTI-WALK KIT

MAGAZINE CATCH

MAGAZINE CATCH SPRING

BOLT CATCH PLUNGER

BOLT CATCH SPRING

AMBI BOLT RELEASE PLUNGER

TAKEDOWN DETENT SPRING

TAKEDOWN PIN DETENT

AMBI MAGAZINE BUTTON

AMBI BOLT CATCH SCREW

LOWER RECEIVER

RECEIVER PIVOT PIN

AMBI BOLT RELEASE PADDLE

AMBI BOLT CATCH RETAINING WASHER

AMBI BOLT CATCH SPRING

AMBI BOLT CATCH BUTTON ASSY

BOLT CATCH

AMBI BOLT CATCH SCREW

TENSION SCREW

BUFFER RETAINER

BUFFER RETAINER SPRING

RECEIVER EXTENSION NUT

RECEIVER END PLATE

AMBI BOLT CATCH SCREW

TAKEDOWN PIN

AMBI SELECTOR KIT, SEMI-AUTO

AMBI SELECTOR SCREW

AMBI SELECTOR LEVER

TAKEDOWN PIN DETENT

TAKEDOWN DETENT SPRING

PISTOL GRIP

SAFETY SELECTOR DETENT

SAFETY DETENT SPRING

KNS PRECISION ANTI-WALK KIT

MAGAZINE RELEASE BUTTON

ANTI-TILT CARBINE RECEIVER EXTENSION 7 POSITION

CARBINE BUFFER .223/AR15/M4

A2 BUFFER SPRING .308/AR10

BUTTSTOCK

POF-USA GEN 4 P308 LOWER RECEIVER COMPONENTS BY DESCRIPTION

REV DATE: 10/22/2021

4

3

2

1

4

3

2

1

TRIGGER ASSEMBLY KIT

- KIT
- 00457 (STANDARD)
- 00516 (EFP)
- 00719 (EFP2)
- 00851 (COMBAT)
- 00858 (STRAIGHT)

00892

00877

00878

00880

00881

00883

00876

00875

- RECEIVER ONLY ("STRIPPED")
- 00956 (NORMAL AMBI)
- 00957 (CA COMPLIANT)

00886

00626 (BLACK)

00874

00885

00890

00889

00879

00892

00894 (LEVER ONLY)

00899 (STANDARD - SHOWN)
00781 (AMBI QD)

00666 (KIT)

00893

00897

00886

00900

00517

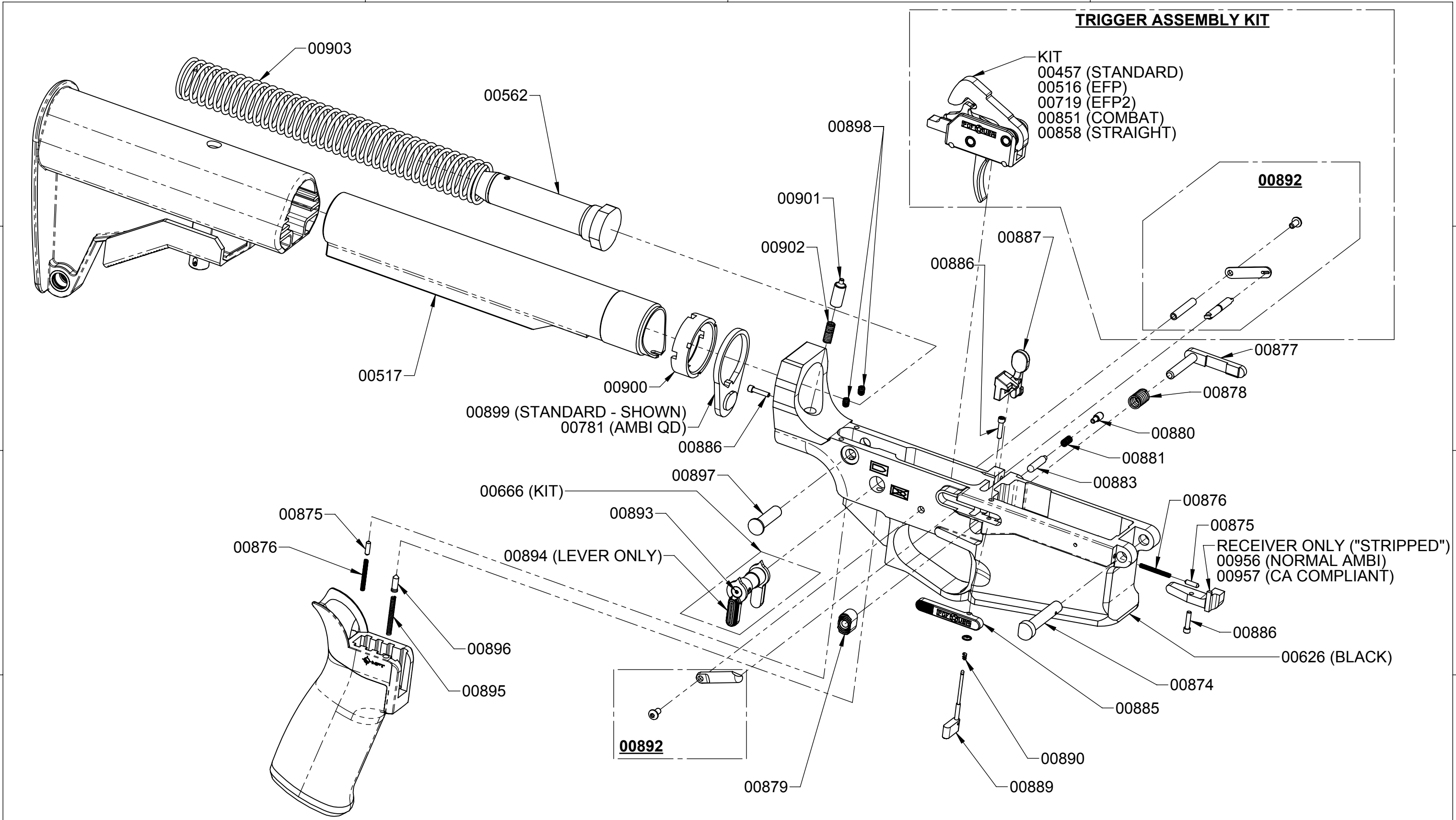
00902

00901

00898

00562

00903



POF-USA GEN 4 P308 LOWER RECEIVER COMPONENTS BY SKU

REV DATE: 10/22/2021

4

3

2

1